



# C130 HD

130Ah | 12V | 910A

### Electrical Specifications

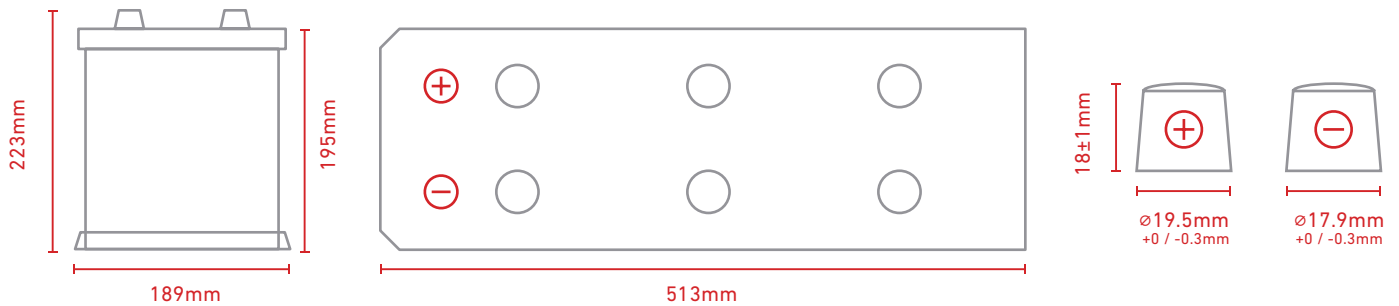
Nominal voltage	12V
Nominal capacity (20h)	130Ah (25°C, 10.5V)
CCA (EN -18°C)	910A
CCA (DIN -18°C)	510A

### Properties

Electrolyte	H <sub>2</sub> SO <sub>4</sub>
Electrolyte spec density (25°C)	1.28 ± 0.01g/cm <sup>3</sup>
Number of plates	19 (9+, 10-)
Positive grid	PbSb
Negative grid	PbCa
Separator	PE (1.4mm)

### Mechanical Specifications

Measurements (L x W x H)	513 x 189 x 223mm
Approx. weight	36.2kg
Base hold-down	B00
Layout	3
Terminal type	1
Plug	M27
Technology	Flooded/SLI
Case material	PP (black)
Lid material	PP (black)



VIBRATION RESISTANT



-18°C TESTED



LOW MAINTENANCE



95% RECYCLABLE



LONG LIFE



BUILT WITH GREEN ENERGY



MADE IN EUROPE

