

[accurat]

**SPORT**

GEL TECHNOLOGY



# YTX16-BS

14Ah | 12V | 230A

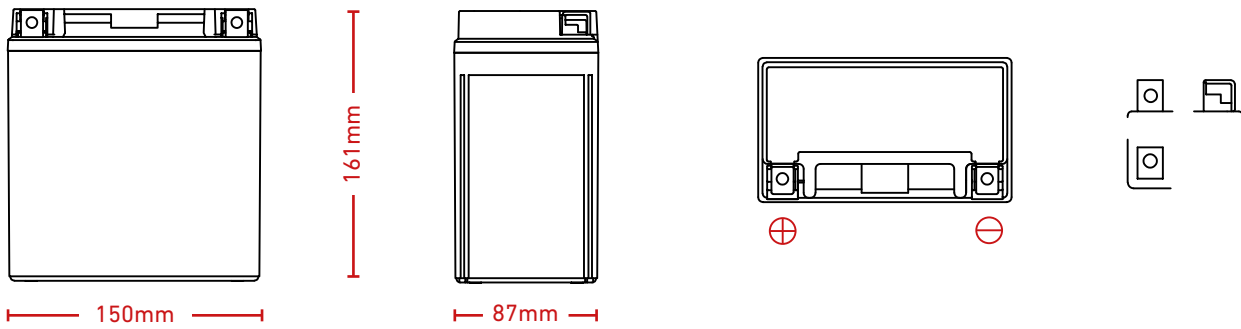
## Electrical Specifications

Nominal voltage	12V
Nominal capacity (25°C)	16Ah at 10h
CCA -18 °C	230A

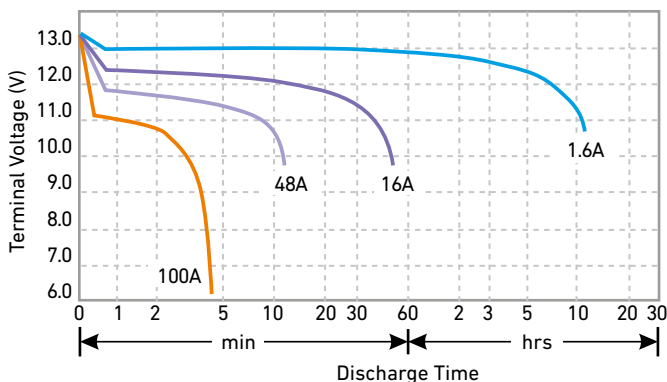
Retention of Charge During Storage at 25°C		
1 month	97%	Directly mounted
3 months	90%	Directly mounted
6 months	80%	Constant voltage: 14.4V Limit current: 3.2A Charging time: 2 - 3h
12 months	40%	Constant voltage: 14.4V Limit current: 3.2A Charging time: 4 - 6h

## Mechanical Specifications

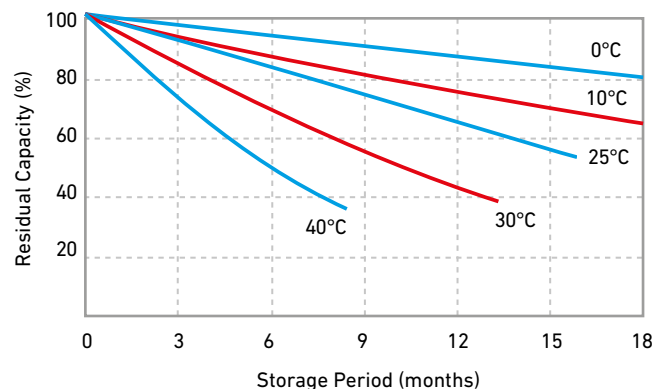
Measurements (L x W x H)	150 x 87 x 161mm
Weight	5.30kg
Storage status	Wet
Cover	ABS
Terminal	Z1
Container bottom	ABS
Positive plate	PbO <sub>2</sub>
Negative plate	Pb
Separator	AGM
Electrolyte	Diluted sulphuric acid
Safety valve	Rubber
Way of sealing	Epoxy resin



## Discharge Current 25 °C



## Residual Capacity



batterium GmbH | Robert-Bosch-Straße 1  
71691 Freiberg am Neckar | Germany  
T: +49 7141 / 560 90 40