

DSC 35

MPPT Solar Charge Controller
500 WP | 35 A | 12 V



Electrical Specifications

max. Solar Module Capacity [Wp]	500
max. Solar Module Current	35A
max. Solar Module Voltage	50V
Battery Nominal Voltage (DC)	12V
max. Charging Current Batt. I / II	35.0 / 1A
Stand-by Current Consumption	4mA

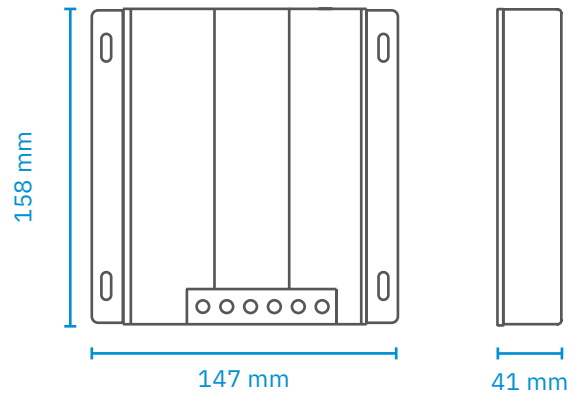
Mechanical Specifications

Measurements	147 x 158 x 41 mm
Weight	763g
Number of Charging Outputs	2
Connector: 12 V loads	no
Ambient Conditions	max. 95% humidity, no condensation

Functions

Overcharge Protection	yes
Back Discharge Protection	yes
Short Circuit Protection	yes
Unit Fuse (Type FKS)	60A
Protection Overloading, Overheating and Reverse Polarity	yes
Connector: Temperature Sensor	yes
Charging Cable Compensation	yes

Measurements



Charging Characteristics (Settable for battery types: Lead Acid, AGM, Gel, LiFePO₄)

