



SC 20

MPPT Solar Charge Controller
240/480 WP | 20 A | 12/24 V

Electrical Specifications

max. Solar Module Capacity [Wp]	240/480
max. Solar Module Current	20A
max. Solar Module Voltage	50V
Battery Nominal Voltage (DC)	12/24V
max. Charging Current Battery	20A
Stand-by Current Consumption	4mA

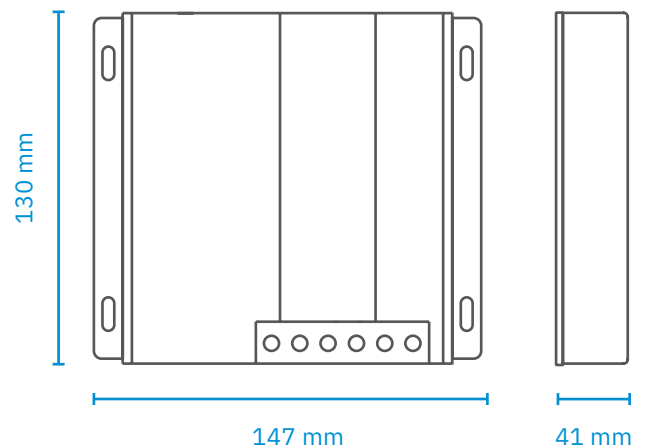
Mechanical Specifications

Measurements	147 x 130 x 41 mm
Weight	500g
Number of Charging Outputs	1
Connector: 12 V loads	no
Ambient Conditions	max. 95% humidity, no condensation

Functions

Overcharge Protection	yes
Back Discharge Protection	yes
Short Circuit Protection	yes
Unit Fuse (Type FKS)	35A
Protection Overloading, Overheating and Reverse Polarity	yes
Connector: Temperature Sensor	yes
Charging Cable Compensation	yes

Measurements



Charging Characteristics (Settable for battery types: Lead Acid, AGM, Gel, LiFePO₄)

